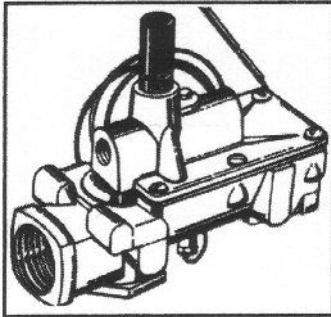


COMMERCIAL GAS SAFETIES

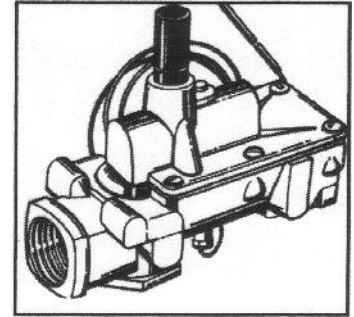
REMANUFACTURED REPLACEMENTS FOR ROBERTSHAW FMDA & FMEA SERIES



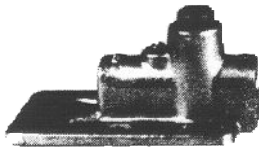
FMDA (PILOT IN & OUT)



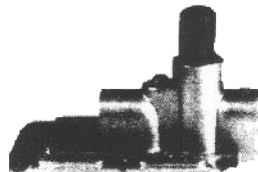
**PILOT BURNERS
(FOR NATURAL GAS)
FOR USE WITH FMEA & FMDA SERIES
STOCK NUMBER 11167**



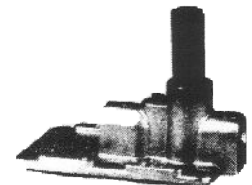
FMEA (PILOT OUT ONLY)



Short Button - 11/64"



Medium Button - 43/64"



Long Button - 1 5/64"

Reference O.E.M. #	Reference Uni-Line #	Stock Number	Cap. Length	Pipe Size	Button Length	Type	Comments
BAKERS PRIDE M1004-A	4030-005	S220-004	54"	1/2"	Long	FMEA	
BARRI ??????	4020-010	S210-007	54"	1/2"	Short	FMDA	
BLODGETT 11523	4030-001	S220-001	54"	1/2"	Medium	FMEA	
FRANKLIN CHEF 145298	4020-009 4020-019	S210-008	54"	3/8"	Long	FMDA	
FRANKLIN CHEF 142159	4030-003	S220-003	54"	3/8"	Long	FMEA	
MOFFATS 21662-25 21664-25	4020-005 4020-007	S210-006	36"	3/8"	Short	FMDA	4 mounting holes
SOUTHBEND 1113999	4020-003	S210-002	36"	1/2"	Long	FMDA	4 mounting holes
SOUTHBEND 1162453 1114099	4020-001	S210-001	36"	1/2"	Short	FMDA	4 mounting holes
VULCAN-HART 407798-4 107798-4	4020-009	S210-008	54"	3/8"	Long	FMDA	2 mounting holes
VULCAN-HART 411984-1 111984-1	4030-003	S220-003	54"	3/8"	Long	FMEA	
WOLF 18164 / 98164	4020-003	S210-002	36"	1/2"	Long	FMDA	4 mounting holes
WOLF 19312	4020-004	S210-003	18"	3/8"	Short	FMDA	4 mounting holes/Pilot - 1/8" pipe side cutout(Pilot Fittings Included)
MISCELLANEOUS	4020-011	S210-010	54"	1/2"	Long	FMDA	